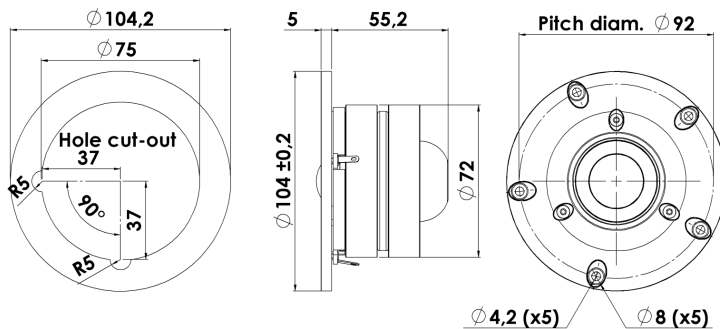




TWEETER

D2604/833000

The Discovery series offer traditional design, superior sound, a solid construction, and a wide range of variants. Combining these elements - plus a wealth of technical features and finesses - it gives our customers the possibility of acquiring a tailor-made Scan-Speak solution with very good performance at a reasonable low price point!



KEY FEATURES:

- High sensitivity - 93dB
- Low Resonance Frequency - 475Hz
- Wide Dispersion
- Extended Frequency to Above 40KHz
- Low Distortion
- Textile Diaphragm, wide Surround

T-S Parameters

| | |
|-------------------------------|--------------------|
| Resonance frequency [fs] | 475 Hz |
| Mechanical Q factor [Qms] | 2.55 |
| Electrical Q factor [Qes] | 0.71 |
| Total Q factor [Qts] | 0.55 |
| Force factor [Bl] | 2.2 Tm |
| Mechanical resistance [Rms] | 0.49 kg/s |
| Moving mass [Mms] | 0.42 g |
| Suspension compliance [Cms] | 0.27 mm/N |
| Effective diaph. diameter [D] | 32 mm |
| Effective piston area [Sd] | 8 cm ² |
| Equivalent volume [Vas] | 0.02 l |
| Sensitivity (2.83V/1m) | 93 dB |
| Ratio Bl/ \sqrt{Re} | 1.31 N/ \sqrt{W} |
| Ratio fs/Qts | 857 Hz |

Notes:

IEC specs. refer to IEC 60268-5 third edition.
All Scan-Speak products are RoHS compliant.
Data are subject to change without notice.
Datasheet updated: March 23, 2011.

Electrical Data

| | |
|----------------------------|---------------|
| Nominal impedance [Zn] | 4 Ω |
| Minimum impedance [Zmin] | 3.8 Ω |
| Maximum impedance [Zo] | 12.9 Ω |
| DC resistance [Re] | 2.8 Ω |
| Voice coil inductance [Le] | 0.04 mH |

Power Handling

| | |
|---------------------------------|-------|
| 100h RMS noise test (IEC 17.1)* | 100 W |
| Long-term max power (IEC 17.3)* | - W |

*Filter: 2. order HP Butterworth, 2.5 kHz

Voice Coil and Magnet Data

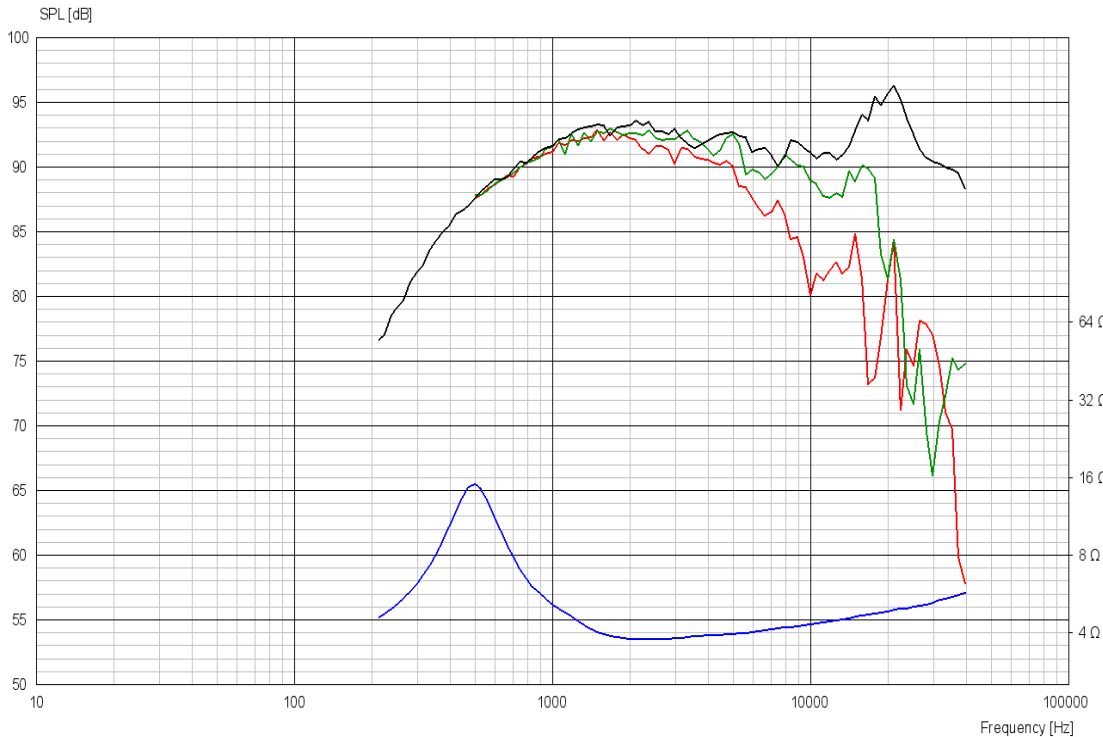
| | |
|---------------------|--------------|
| Voice coil diameter | 26 mm |
| Voice coil height | 2 mm |
| Voice coil layers | 2 |
| Height of gap | 2.5 mm |
| Linear excursion | ± 0.3 mm |
| Max mech. excursion | ± 1.6 mm |
| Unit weight | 0.8 kg |



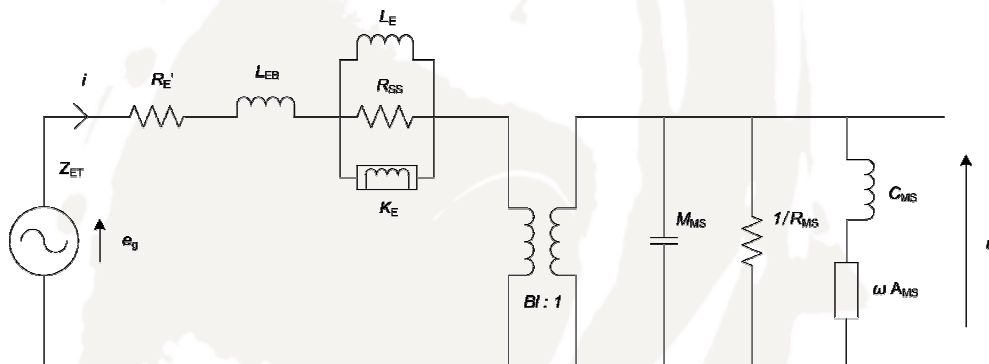
DISCOVERY

TWEETER

D2604/833000



Advanced Parameters (Preliminary)



Electrical data:

| | |
|------------------------|------|
| Resistance [Re'] | - Ω |
| Free inductance [Leb] | - mH |
| Bound inductance [Le] | - mH |
| Semi-inductance [Ke] | - SH |
| Shunt resistance [Rss] | - Ω |

Mechanical Data

| | |
|-----------------------------|--------|
| Force Factor [BI] | - Tm |
| Moving mass [Mms] | - g |
| Compliance [Cms] | - mm/N |
| Mechanical resistance [Rms] | - kg/s |
| Admittance [Ams] | - mm/N |

