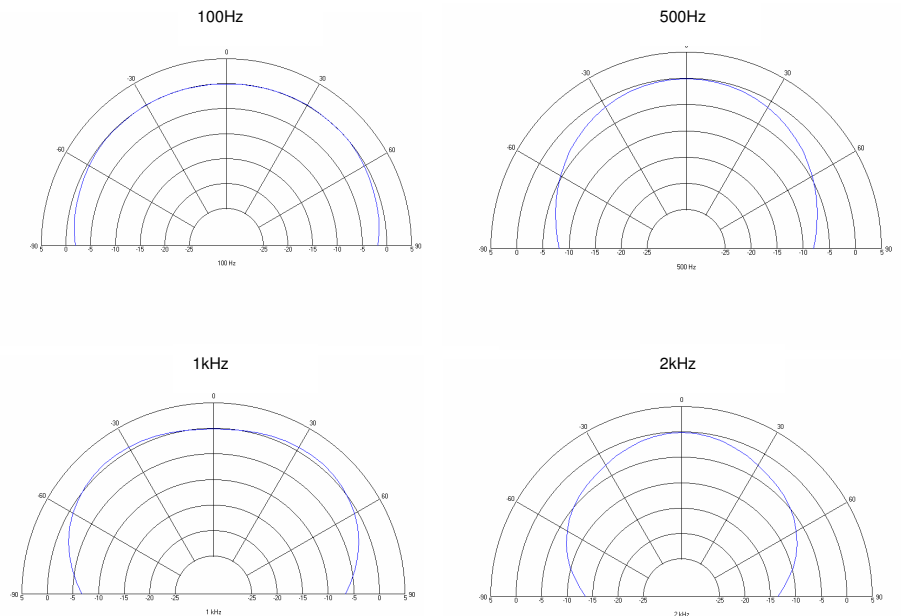
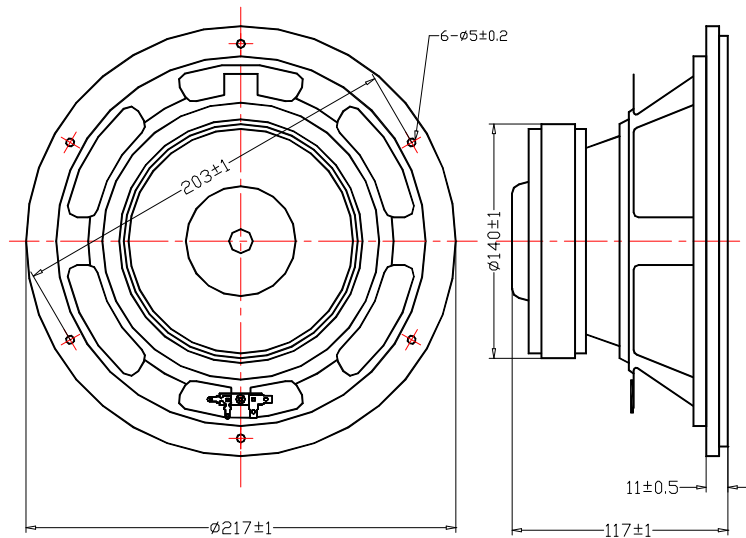


**Notes:**

200 mm high power woofer,  
oil coated paper cone and dustcap,  
rubber edge,  
foam gasket,  
outcut  $\varnothing$  183 mm,  
terminals:  
“+” 4.8 x 0.8 mm  
“-” 2.8 x 0.8 mm

impedance: 4/8  $\Omega$   
nom. power: 100 watts  
SPL 1W/1m 90 dB  
fs: 40 Hz  
Re: 3.2/7.0  $\Omega$   
Le: 0.6 mH  
Qms: 5.8  
Qes: 0.31  
Qts: 0.3  
VAS: 27 l  
Mms: 40 g  
Rms: 1.85 kg/s  
2Cms: 0.41 mm/N  
B\*I: 9.7 Tm  
Sd: 216 cm<sup>2</sup>  
Xmax: +/- 4 mm  
weight: 3.6 kg  
magnet: 30 oz  
voice coil  $\varnothing$ : 50 mm



TECHNICAL DATA ARE MEASURED WITH ATB – EQUIPMENT ACCORDING EN – 60268 –5.

FOR PRODUCT IMPROVEMENT HKM RESERVES ALTERATIONS IN SPECIFICATIONS AND DESIGN WITHOUT FURTHER ANNOUNCEMENT

FOR TOLERANCES OF TECHNICAL DATA REFER TO HKM 'S MANUAL OF TECHNICAL DATA

FOR INFORMATION CONTACT: TEL.: +49 9073 / 9585 0, FAX.: +49 9073 / 9585 55, E-MAIL: [INFO@HKM-GROUP.DE](mailto:INFO@HKM-GROUP.DE)