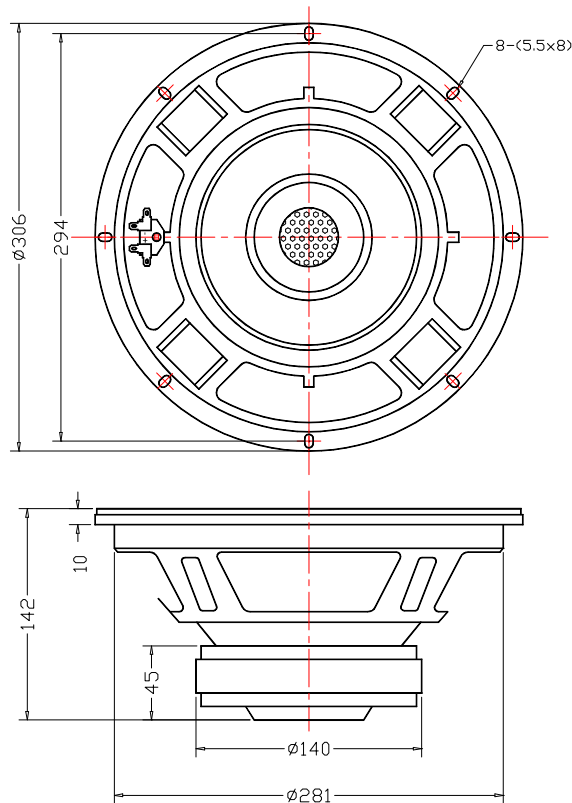


Notes:

300 mm Hifi – Subwoofer,
oil coated air dried paper
cone,
oil coated paper dustcap,
rubber edge,
foam gasket,
vented voice coil,
terminals:
“+” 4.8mm
“-” 4.8mm

| | |
|----------------------------|---------------------|
| impedance: | 8 Ω |
| nom. power: | 120 watts |
| SPL 1W/1m: | 91 dB |
| fs: | 29.64 Hz |
| Re: | 5.88 Ω |
| Le: | 1.2 mH |
| Qms: | 2.67 |
| Qes: | 0.51 |
| Qts: | 0.43 |
| VAS : | 130.6 l |
| Mms : | 82.12 g |
| Rms : | 6.22 kg/s |
| Cms: | 0.35 mm/N |
| B*I: | 12.74 Tm |
| Sd: | 515 cm ² |
| Xmax: | 4 mm |
| weight: | 3.8 kg |
| magnet: | 40 oz |
| voice coil \varnothing : | 49 mm |



TECHNICAL DATA ARE MEASURED WITH ATB – EQUIPMENT ACCORDING EN – 60268 –5.

FOR PRODUCT IMPROVEMENT HKM RESERVES ALTERATIONS IN SPECIFICATIONS AND DESIGN WITHOUT FURTHER ANNOUNCEMENT

FOR TOLERANCES OF TECHNICAL DATA REFER TO HKM 'S MANUAL OF TECHNICAL DATA

FOR INFORMATION CONTACT: TEL.: +49 9073 / 9585 0, FAX.: +49 9073 / 9585 55, E-MAIL:INFO@HKM-GROUP.DE