



Notes:

87 mm woofer / fullrange

cone: paper
dustcap: paper
edge: rubber
gasket: paper
voice coil: paper
magnet: ferrit

Terminals:

"+" 4.8 x 0.8 mm
"-" 2.8 x 0.8 mm

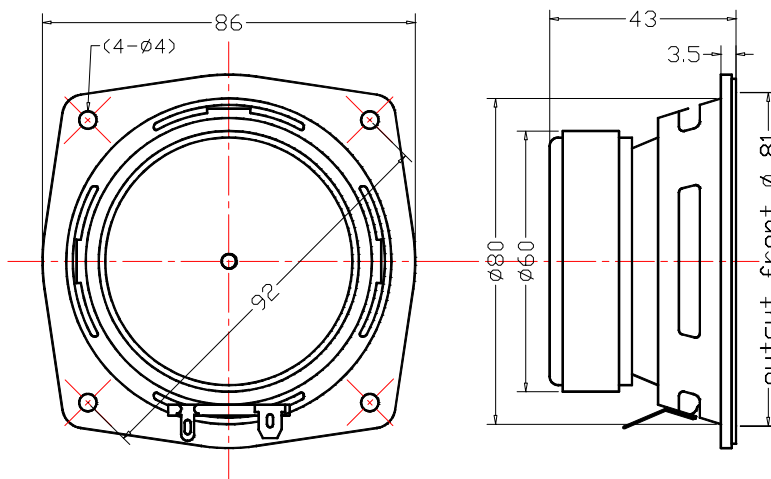
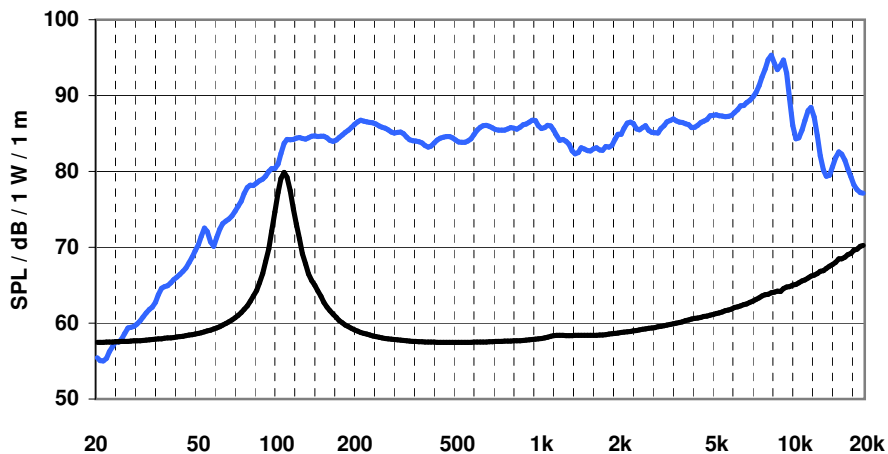
Technical data (EN):

nom impedance 8 Ω
nom. power 15 watts
peak SPL 95 dB
sensitivity 90 dB
average SPL 86 dB
res. frequency 105 Hz
freq. Range (-10 dB):
90 to 14000 Hz
Xmax +/- 1,5 mm
total weight 0,5 kg
magnet weight 6 oz
voice coil Ø 20 mm

Thiele / Small parameter:

Re 7,3 Ω
Qms 3,2
Qes 0,7
Qts 0,6
VAS 1,6 Liter
Mms 2,8 g
Rms 0,6 kg / s
Cms 0,8 mm / N
B * L 4,3 Tm
Sd 38,5 cm²
Le 0,01 mH

Frequenzgang / frequency response



Remarks:

87 mm mini hifi woofer
low resonance frequency and linear frequency response
special designed for small 2-way systems
also for use in fullrange applications, columns and
high quality systems for music and speech

Technical data are measured with ATB - equipment according EN - 60268 - 5

For product improvement HKM reserves alterations in specifications and design without further announcement

For tolerances of technical data refer to HKM's manual of technical data

For information contact: tel.: +49 (0) 9073 / 9585 - 0, fax.: +49 (0) 9073 / 9585 - 55, e-mail: info@hkm-group.de

HP.: www.hkm-group.de

