



**Notes:**

**87 mm woofer / fullrange**

cone: paper  
dustcap: paper  
edge: rubber  
gasket: paper  
voice coil: paper  
magnet: ferrit

**Terminals:**

"+" 4.8 x 0.8 mm  
"-" 2.8 x 0.8 mm

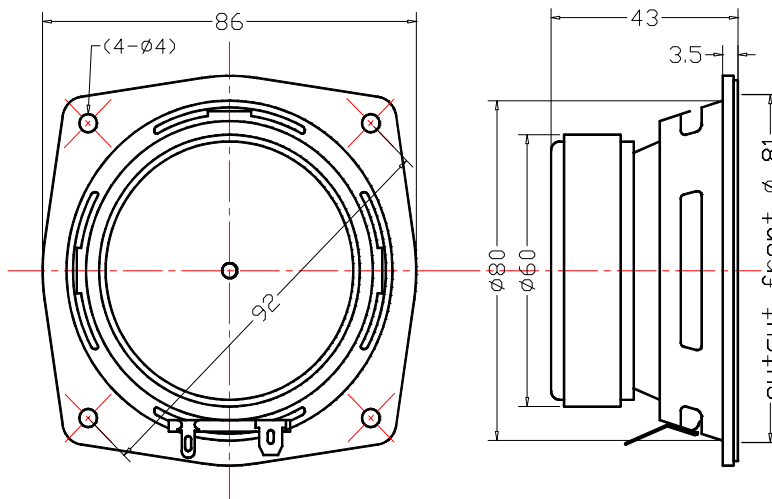
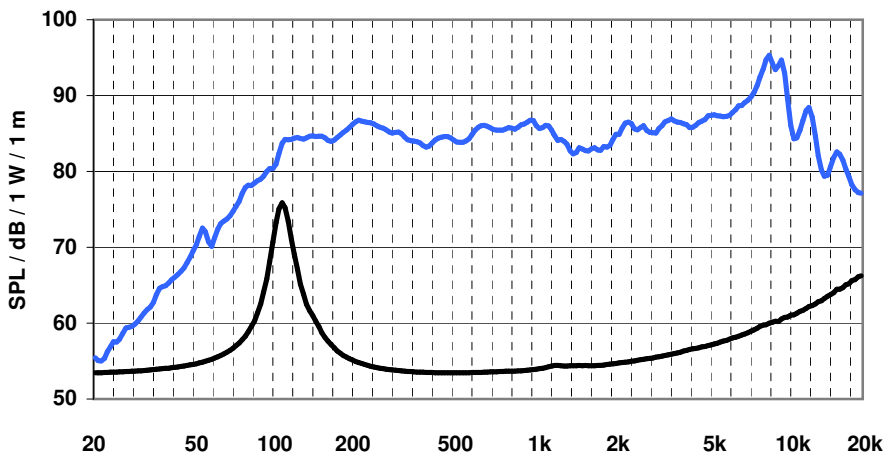
**Technical data ( EN ):**

nom impedance 4 Ω  
nom. power 15 watts  
peak SPL 95 dB  
sensitivity 90 dB  
average SPL 86 dB  
res. frequency 105 Hz  
freq. Range ( -10 dB ):  
90 to 14000 Hz  
Xmax +/- 1,5 mm  
total weight 0,5 kg  
magnet weight 6 oz  
voice coil Ø 20 mm

**Thiele / Small parameter:**

Re 3,2 Ω  
Qms 3,2  
Qes 0,7  
Qts 0,6  
VAS 1,6 Liter  
Mms 2,8 g  
Rms 0,6 kg / s  
Cms 0,8 mm / N  
B \* L 3,1 Tm  
Sd 38,5 cm<sup>2</sup>  
Le 0,01 mH

**Frequenzgang / frequency response**



**Remarks:**

87 mm mini hifi woofer  
low resonance frequency and linear frequency response  
special designed for small 2-way systems  
also for use in fullrange applications, columns and  
high quality systems for music and speech

Technical data are measured with ATB - equipment according EN - 60268 - 5

For product improvement HKM reserves alterations in specifications and design without further announcement

For tolerances of technical data refer to HKM's manual of technical data

For information contact: tel.: +49 (0) 9073 / 9585 - 0, fax.: +49 (0) 9073 / 9585 - 55, e-mail: info@hkm-group.de

HP.: www.hkm-group.de

