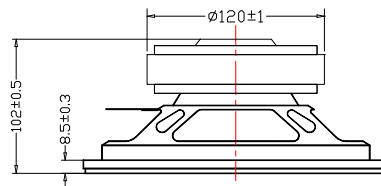
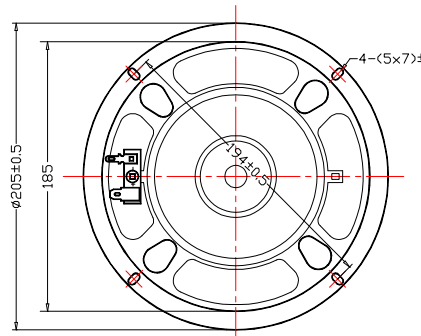
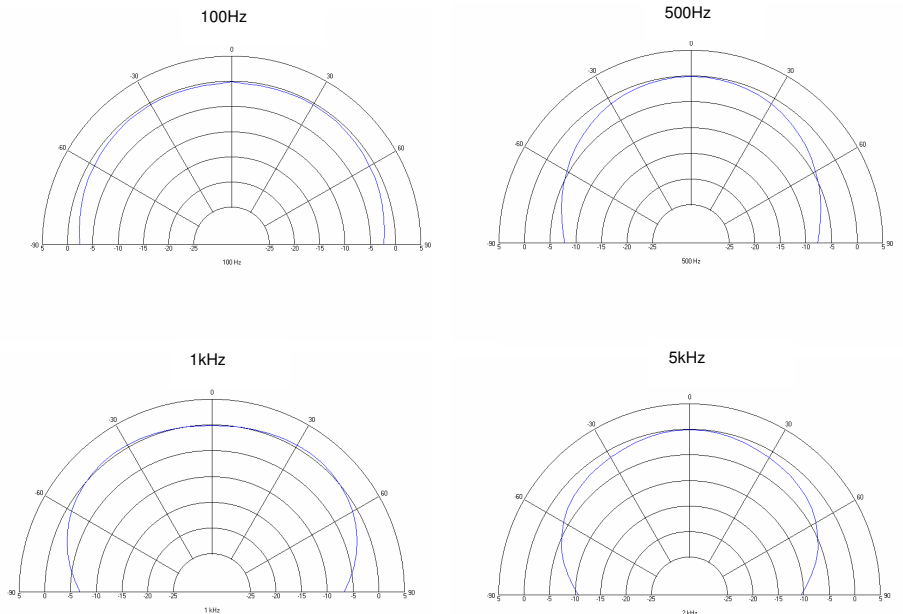


**Notes:**

200 mm Hifi woofer,  
oil coated paper cone,  
oil coated paper dustcap,  
foam edge,  
paper gasket,  
kapton voice coil,  
output: Ø 185 mm  
terminals:  
“+” 4.8 x 0.8 mm  
“-“ 2.8 x 0.8 mm



impedance: 4 Ω  
nom. power: 50 watts  
SPL 1W/1m: 90 dB  
fs: 35 Hz  
Re: 2.6 Ω  
Le: 0.4 mH  
Qms: 5.2  
Qes: 0.3  
Qts: 0.29  
VAS : 42 l  
Mms : 28.3 g  
Rms : 1.3 kg/s  
Cms: 0.74 mm/N  
B\*I: 6.9 Tm  
Sd: 201 cm<sup>2</sup>  
Xmax: 2 mm  
weight: 2.15 kg  
magnet: 26 oz  
voice coil Ø: 38 mm



TECHNICAL DATA ARE MEASURED WITH ATB – EQUIPMENT ACCORDING EN – 60268 –5.

FOR PRODUCT IMPROVEMENT HKM RESERVES ALTERATIONS IN SPECIFICATIONS AND DESIGN WITHOUT FURTHER ANNOUNCEMENT

FOR TOLERANCES OF TECHNICAL DATA REFER TO HKM 'S MANUAL OF TECHNICAL DATA

FOR INFORMATION CONTACT: TEL.: +49 9073 / 9585 0, FAX.: +49 9073 / 9585 55, E-MAIL: [INFO@HKM-GROUP.DE](mailto:INFO@HKM-GROUP.DE)