



Notes:

165 mm Hifi Woofer

cone: black glas fibre
dustcap: black mylar dustcap
edge: rubber
gasket: foam
voice coil: kapton
magnet: ferrit

Terminals:

"+" 4.8 x 0.8 mm
"-" 2.8 x 0.8 mm

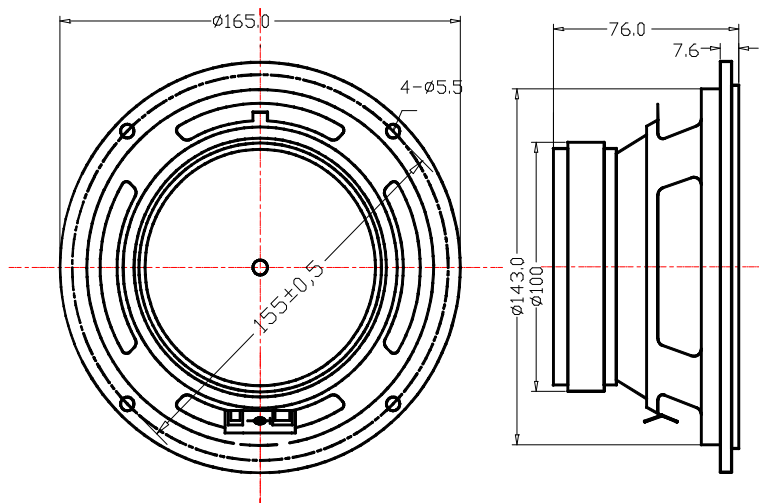
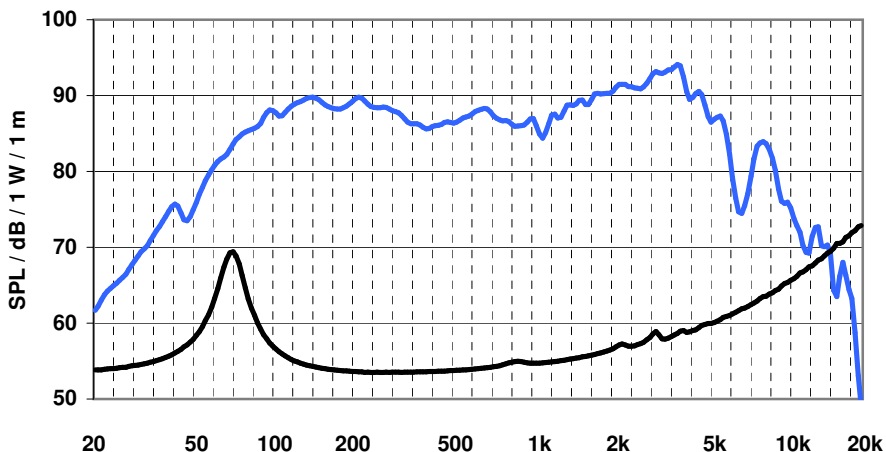
Technical data (EN):

nom impedance 4 Ω
nom. power 50 watts
peak SPL 94 dB
sensitivity 91 dB
average SPL 87 dB
res. frequency 72 Hz
freq. Range (-10 dB):
45 to 9000 Hz
Xmax +/- 3 mm
total weight 1,2 kg
magnet weight 15 oz
voice coil Ø 26 mm

Thiele / Small parameter:

Re 3,1 Ω
Qms 4,3
Qes 0,7
Qts 0,6
VAS 10 Liter
Mms 13 g
Rms 1,5 kg / s
Cms 0,4 mm / N
B * L 5 Tm
Sd 143 cm²
Le 0,8 mH

Frequenzgang / frequency response



Remarks:

165 mm hifi woofer
high quality black glas fibre cone
low resonance frequency and linear frequency response
cone and dustcap resistant against humidity
for use in all hifi systems

Technical data are measured with ATB - equipment according EN - 60268 - 5

For product improvement HKM reserves alterations in specifications and design without further announcement

For tolerances of technical data refer to HKM's manual of technical data

For information contact: tel.: +49 (0) 9073 / 9585 - 0, fax.: +49 (0) 9073 / 9585 - 55, e-mail: info@hkm-group.de

HP.: www.hkm-group.de

