



**Notes:**

**130 mm Hifi Woofer**

cone: metal powdered paper  
dustcap: metal powdered paper  
edge: rubber  
gasket: ...  
voice coil: alu  
magnet: ferrit

**Terminals:**

"+" 4.8 x 0.8 mm  
"-" 2.8 x 0.8 mm

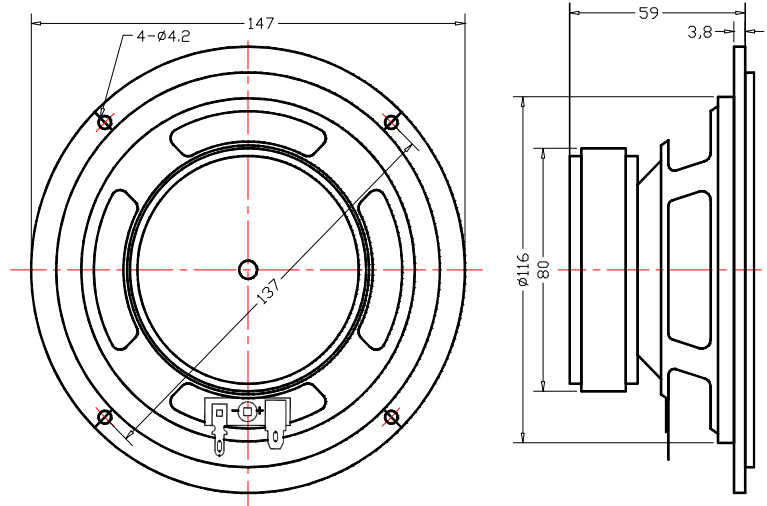
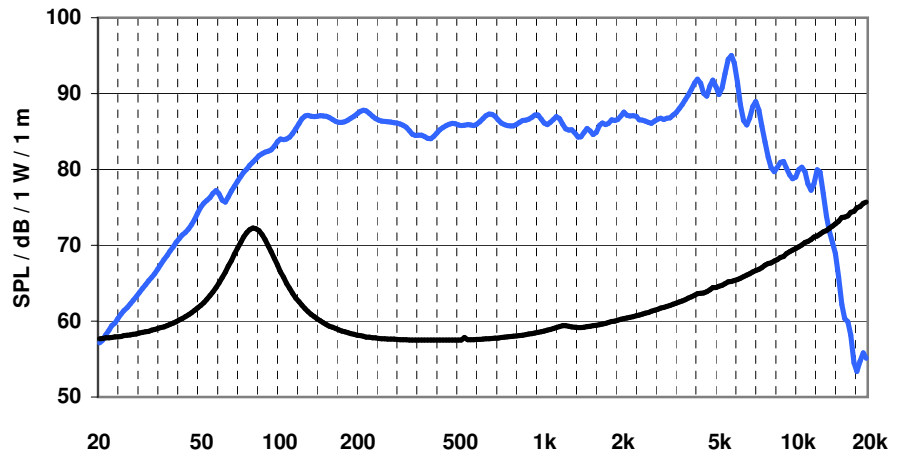
**Technical data ( EN ):**

nom impedance 8 Ω  
nom. power 40 watts  
peak SPL 95 dB  
sensitivity 90 dB  
average SPL 86 dB  
res. frequency 75 Hz  
freq. Range ( -10 dB ):  
70 to 13200 Hz  
Xmax +/- 3 mm  
total weight 0,75 kg  
magnet weight 13 oz  
voice coil Ø 25 mm

**Thiele / Small parameter:**

Re 6,8 Ω  
Qms 2,3  
Qes 0,8  
Qts 0,5  
VAS 7,3 Liter  
Mms 6,7 g  
Rms 1,5 kg / s  
Cms 0,7 mm / N  
B \* L 5,3 Tm  
Sd 88 cm<sup>2</sup>  
Le 0,02 mH

Frequenzgang / frequency response



**Remarks:**

130 mm hifi woofer with linear frequency response  
for use in Dolby Surround and THX-systems  
and all other hifi applications as woofer and  
low-midrange unit

Technical data are measured with ATB - equipment according EN - 60268 - 5

For product improvement HKM reserves alterations in specifications and design without further announcement

For tolerances of technical data refer to HKM's manual of technical data

For information contact: tel.: +49 (0) 9073 / 9585 - 0, fax.: +49 (0) 9073 / 9585 - 55, e-mail: info@hkm-group.de

HP.: www.hkm-group.de

