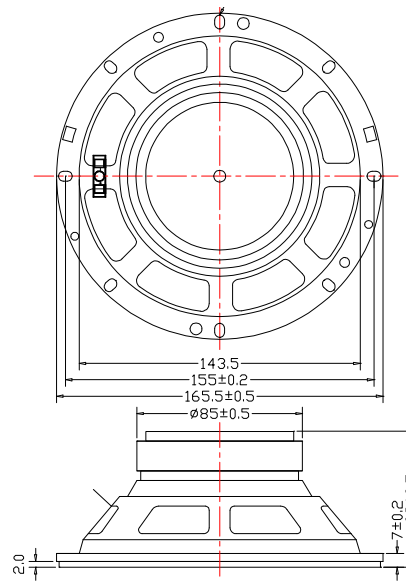


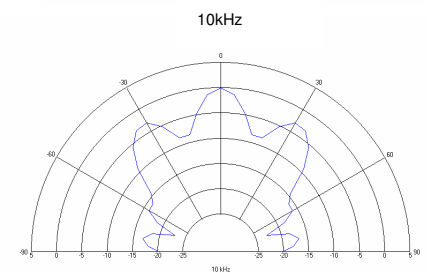
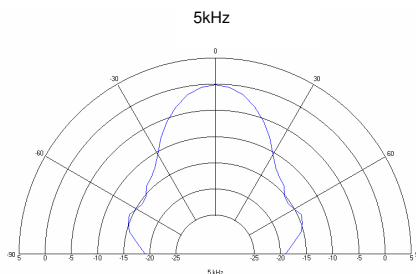
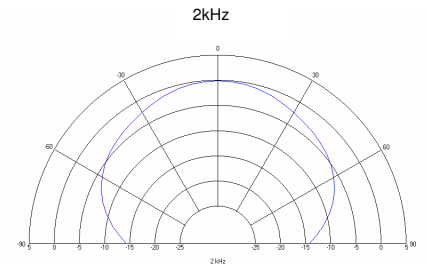
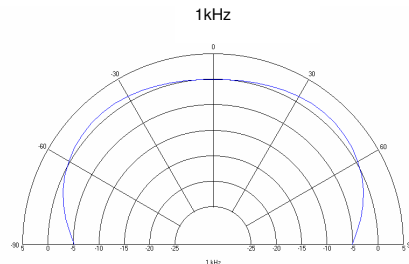
Notes:

165 mm fullrange speaker,
treated paper cone,
paper subcone,
treated double paper edge,
foam gasket,
kapton voice coil,
terminals:

“+” 4.8 x 0.8 mm
“-” 2.8 x 0.8 mm



impedance: 8 Ω
nom. power: 40 watts
SPL 1W/1m: 96 dB
fs: 100 Hz
Re: 5.5 Ω
Le: 0.23 mH
Qms: 4.0
Qes: 0.7
Qts: 0.6
VAS: 12 l
Mms: 5.7 g
Rms: 1.0 kg/s
Cms: 0.4 mm/N
B*I: 5.3 Tm
Sd: 139 cm²
Xmax: +/-1 mm
weight: 0.9 kg
magnet: 13 oz
voice coil Ø: 25 mm



TECHNICAL DATA ARE MEASURED WITH ATB – EQUIPMENT ACCORDING EN – 60268 –5.

FOR PRODUCT IMPROVEMENT HKM RESERVES ALTERATIONS IN SPECIFICATIONS AND DESIGN WITHOUT FURTHER ANNOUNCEMENT

FOR TOLERANCES OF TECHNICAL DATA REFER TO HKM 'S MANUAL OF TECHNICAL DATA

FOR INFORMATION CONTACT: TEL.: +49 9073 / 9585 0, FAX.: +49 9073 / 9585 55, E-MAIL: INFO@HKM-GROUP.DE