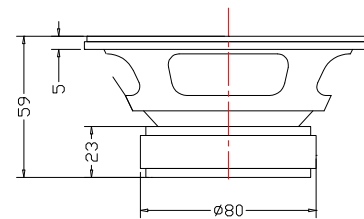
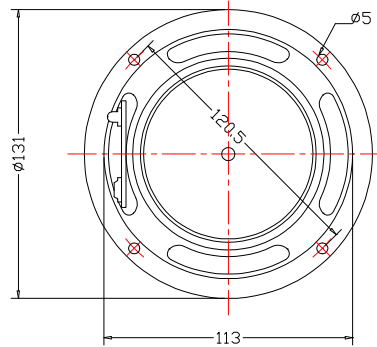
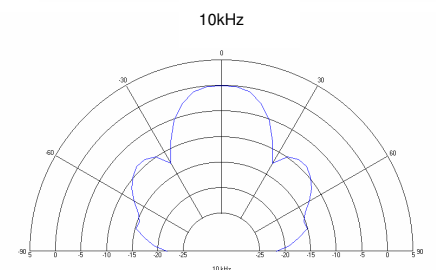
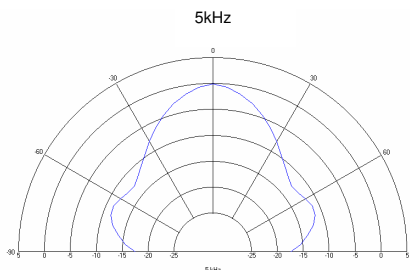
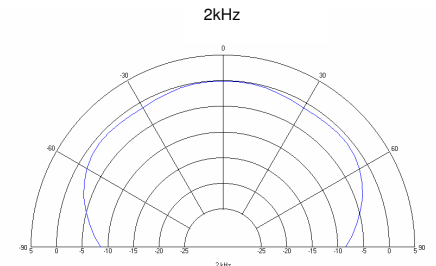
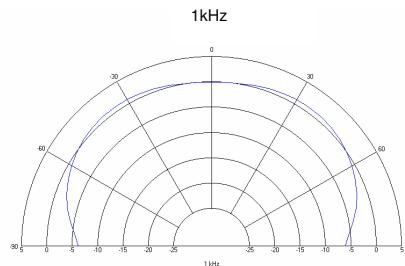


**Notes:**

130 mm fullrange speaker,  
paper cone,  
paper subcone,  
treated cone  
treated cloth edge,  
foam gasket  
terminals:  
“+” 4.8 x 0.8 mm  
“-” 2.8 x 0.8 mm



impedance:	8 $\Omega$
nom. power:	30 watts
SPL 1W/1m:	90 dB
fs:	123 Hz
Re:	7.2 $\Omega$
Le:	0.24 mH
Qms:	2.95
Qes:	0.95
Qts:	0.72
VAS :	3.88 l
Mms :	4.42 g
Rms :	1.2 kg/s
Cms:	0.40 mm/N
B*I:	4.75 Tm
Sd:	83 cm <sup>2</sup>
Xmax:	+/-1.5 mm
weight:	0.78 kg
magnet:	11 oz
voice coil $\varnothing$ :	20 mm



TECHNICAL DATA ARE MEASURED WITH ATB – EQUIPMENT ACCORDING EN – 60268 –5.

FOR PRODUCT IMPROVEMENT HKM RESERVES ALTERATIONS IN SPECIFICATIONS AND DESIGN WITHOUT FURTHER ANNOUNCEMENT FOR

TOLERANCES OF TECHNICAL DATA REFER TO HKM 'S MANUAL OF TECHNICAL DATA

FOR INFORMATION CONTACT: TEL.: +49 9073 / 9585 0, FAX.: +49 9073 / 9585 55, E-MAIL:INFO@HKM-GROUP.DE

WWW.HKM-GROUP.DE