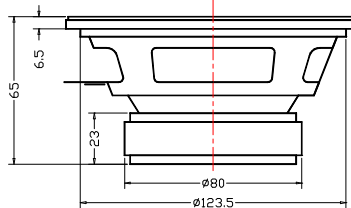
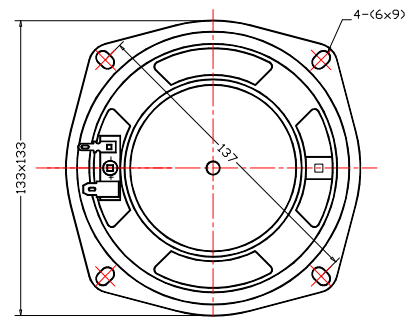


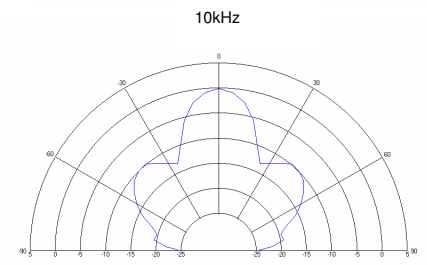
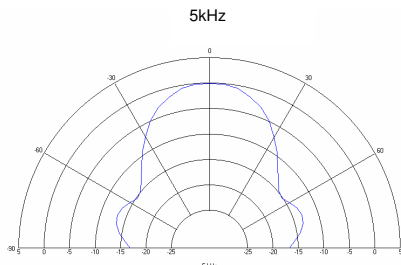
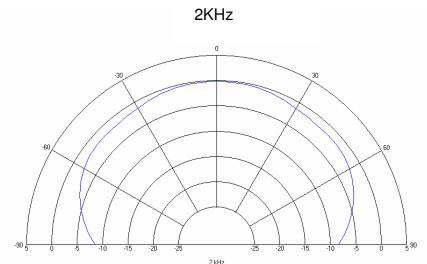
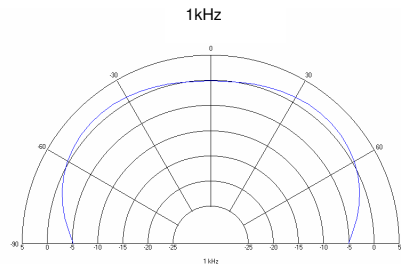
Notes:

133 mm fullrange speaker,
paper cone,
paper subcone,
treated roll out cloth edge,
paper gasket
terminals:

“+” 4.8 x 0.8 mm
“-“ 2.8 x 0.8 mm



impedance: 4 Ω
nom. power: 30 watts
SPL 1W/1m: 93 dB
fs: 105 Hz
Re: 3.1 Ω
Le: 0.14 mH
Qms: 3.1
Qes: 0.7
Qts: 0.55
VAS: 6.5 l
Mms: 4.5 g
Rms: 1.0 kg/s
Cms: 0.5 mm/N
B*I: 3.5 Tm
Sd: 95 cm²
weight: 0.72 kg
magnet: 11 oz
voice coil \varnothing : 20 mm



TECHNICAL DATA ARE MEASURED WITH ATB – EQUIPMENT ACCORDING EN – 60268 –5.

FOR PRODUCT IMPROVEMENT HKM RESERVES ALTERATIONS IN SPECIFICATIONS AND DESIGN WITHOUT FURTHER ANNOUNCEMENT

FOR TOLERANCES OF TECHNICAL DATA REFER TO HKM 'S MANUAL OF TECHNICAL DATA

FOR INFORMATION CONTACT: TEL.: +49 9073 / 9585 0, FAX.: +49 9073 / 9585 55, E-MAIL: INFO@HKM-GROUP.DE