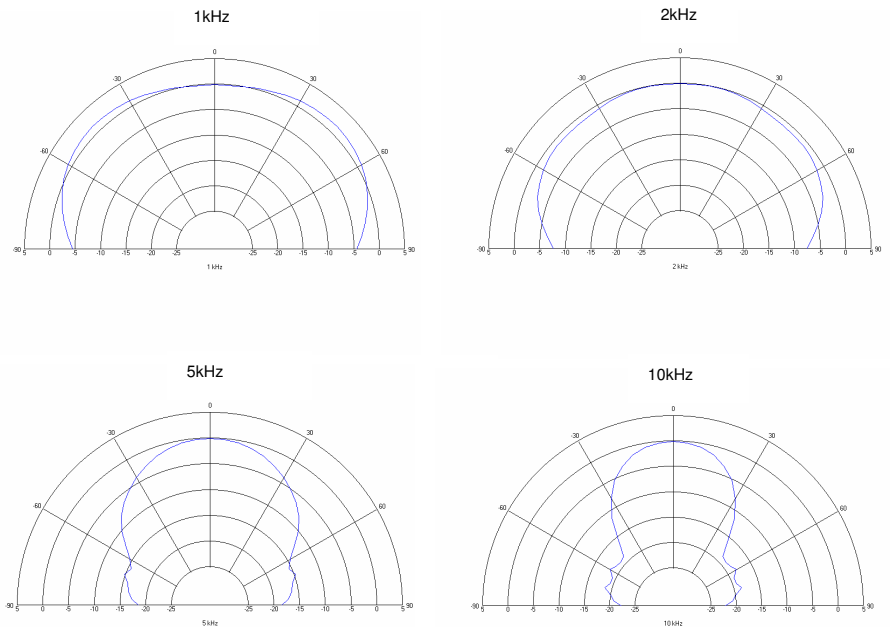
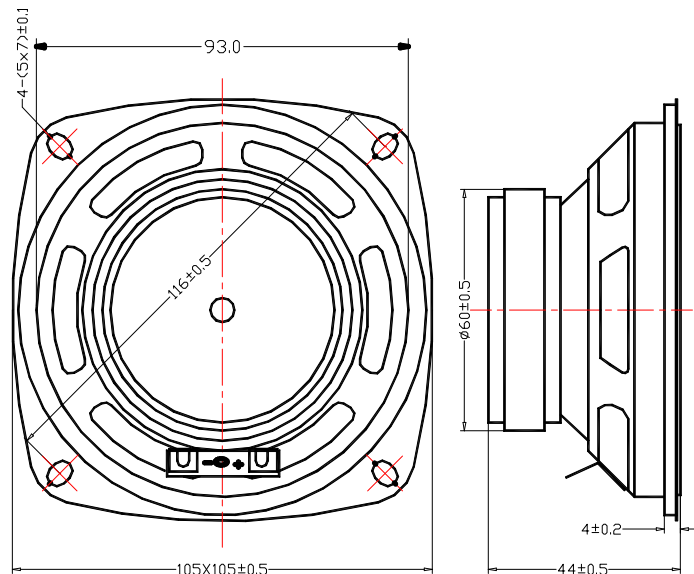


Notes:

100 mm fullrange speaker,
paper cone,
paper dustcap,
inverse treated cloth edge,
paper gasket,
terminals:

“+” 4.8 x 0.8 mm
“-” 2.8 x 0.8 mm

impedance:	4/8 Ω
nom. power:	12 watts
SPL 1W/1m	86 dB
SPL 6W/1m	93 dB
fs:	114 Hz
Re:	3.6/7.3 Ω
Le:	0.14 mH
Qms:	3.2
Qes:	1.9
Qts:	1.1
VAS :	3 l
Mms :	2.4 g
Rms :	0.6 kg/s
Cms:	0.8 mm/N
B*I:	1.8 Tm
Sd:	51 cm ²
Xmax:	+/- 1 mm
weight:	0.255 kg
magnet:	3 oz
voice coil Ø:	20 mm



TECHNICAL DATA ARE MEASURED WITH ATB – EQUIPMENT ACCORDING EN – 60268 –5.

FOR PRODUCT IMPROVEMENT HKM RESERVES ALTERATIONS IN SPECIFICATIONS AND DESIGN WITHOUT FURTHER ANNOUNCEMENT

FOR TOLERANCES OF TECHNICAL DATA REFER TO HKM 'S MANUAL OF TECHNICAL DATA

FOR INFORMATION CONTACT: TEL.: +49 9073 / 9585 0, FAX.: +49 9073 / 9585 55, E-MAIL: INFO@HKM-GROUP.DE