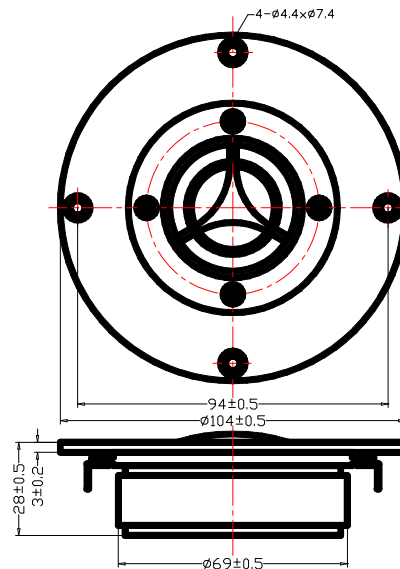
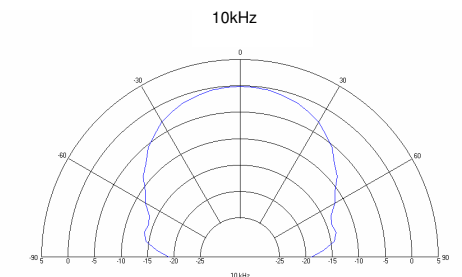
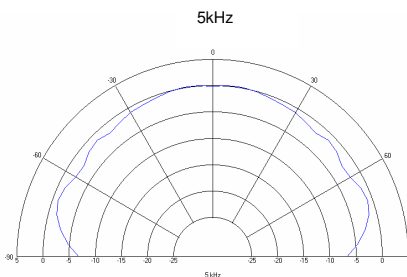
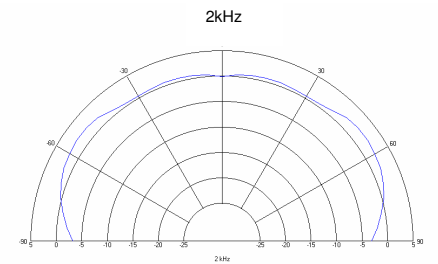
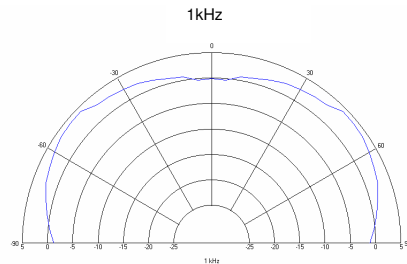


**Notes:**  
25 mm dome tweeter,  
treated silk dome,  
front with equalizer ,  
terminals:  
2.8 x 0.5 mm



impedance:	4/8 Ω
nom. power:	100 watts*
SPL 1W/1m	92 dB
fs:	1100 Hz
Re:	3.1/7.0 Ω
Le:	0.01 mH
Qms:	3.0
Qes:	2.5
Qts:	1.4
VAS :	-- l
Mms :	-- g
Rms :	-- kg/s
Cms:	-- mm/N
B*I:	-- Tm
Sd:	6.0 cm <sup>2</sup>
Xmax:	-- mm
weight:	0.49 kg
magnet:	9 oz
voice coil Ø:	25 mm



\*crossover 12dB/Oct, 4000 Hz

TECHNICAL DATA ARE MEASURED WITH ATB – EQUIPMENT ACCORDING EN – 60268 –5.

FOR PRODUCT IMPROVEMENT HKM RESERVES ALTERATIONS IN SPECIFICATIONS AND DESIGN WITHOUT FURTHER ANNOUNCEMENT

FOR TOLERANCES OF TECHNICAL DATA REFER TO HKM 'S MANUAL OF TECHNICAL DATA

FOR INFORMATION CONTACT: TEL.: +49 9073 / 9585 0, FAX.: +49 9073 / 9585 55, E-MAIL: [INFO@HKM-GROUP.DE](mailto:INFO@HKM-GROUP.DE)