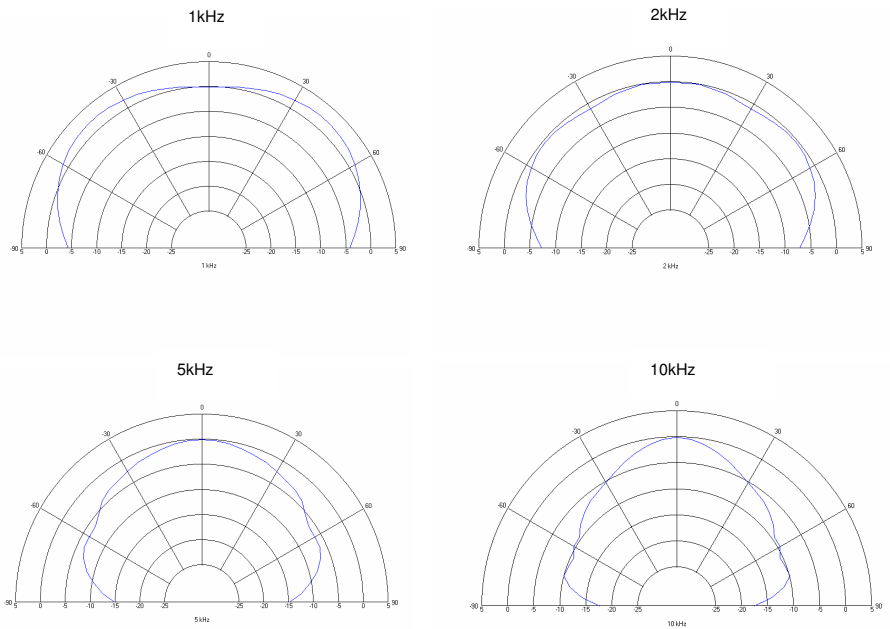
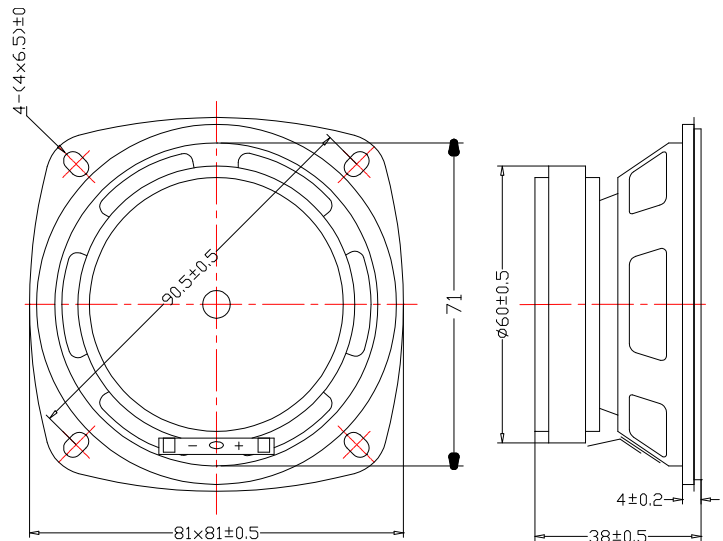


Notes:

77 mm fullrange speaker,
paper cone,
black mylar dustcap,
treated cloth edge,
paper gasket,
terminals:
“+” 4.8 x 0.8 mm
“-” 2.8 x 0.8 mm

impedance: 8 Ω
nom. power: 10 watts
SPL 1W/1m: 89 dB
SPL 6W/1m: 95 dB
fs: 180 Hz
Re: 7.1 Ω
Le: 0.06 mH
Qms: 2.8
Qes: 1.2
Qts: 0.85
VAS: 0.9 l
Mms: 1.1 g
Rms: 0.5 kg/s
Cms: 0.7 mm/N
B*I: 2.8 Tm
Sd: 31 cm²
Xmax: +/- 1 mm
weight: 0.244 kg
magnet: 3.25 oz
voice coil Ø: 16 mm



TECHNICAL DATA ARE MEASURED WITH ATB – EQUIPMENT ACCORDING EN – 60268 –5.

FOR PRODUCT IMPROVEMENT HKM RESERVES ALTERATIONS IN SPECIFICATIONS AND DESIGN WITHOUT FURTHER ANNOUNCEMENT

FOR TOLERANCES OF TECHNICAL DATA REFER TO HKM 'S MANUAL OF TECHNICAL DATA

FOR INFORMATION CONTACT: TEL.: +49 9073 / 9585 0, FAX.: +49 9073 / 9585 55, E-MAIL: INFO@HKM-GROUP.DE