



Notes:

160 mm fullrange

cone: paper
dustcap: paper subcone
edge: treated paper
gasket: paper
voice coil: paper
magnet: ferrit

Terminals:

"+" 4.8 x 0.8 mm
"-" 2.8 x 0.8 mm

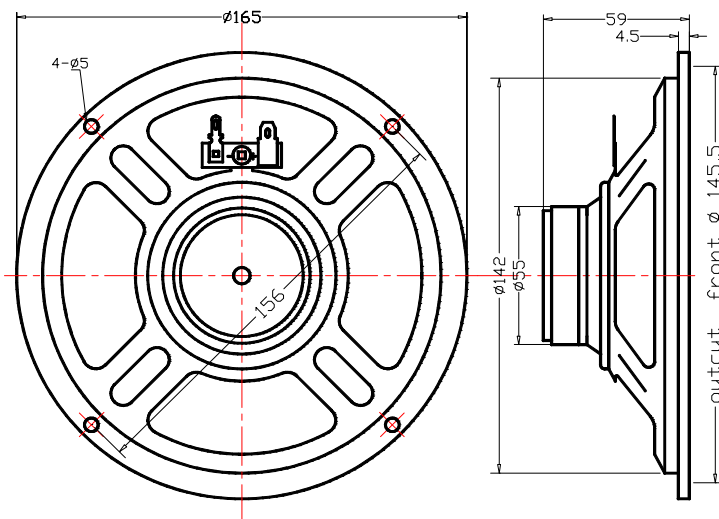
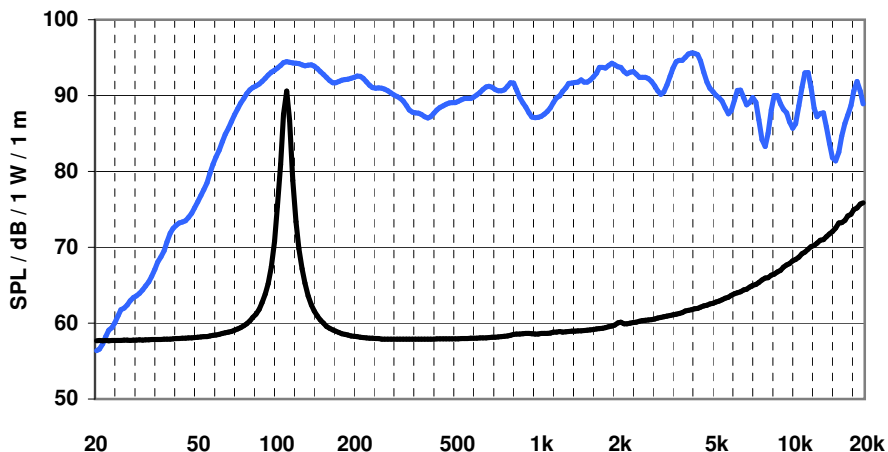
Technical data (EN):

nom impedance 8 Ω
nom. power 15 watts
peak SPL 96 dB
sensitivity 92 dB
average SPL 90 dB
res. frequency 109 Hz
freq. Range (-10 dB):
60 to 20000 Hz
Xmax 1,5 mm
total weight 0,41 kg
magnet weight 5 oz
voice coil Ø 20 mm

Thiele / Small parameter:

Re 7,6 Ω
Qms 6,5
Qes 2
Qts 1,5
VAS 9,7 Liter
Mms 5,1 g
Rms 0,6 kg / s
Cms 0,37 mm / N
B * L 3,6 Tm
Sd 137 cm²
Le 0,01 mH

Frequenzgang / frequency response



Remarks:

160 mm fullrange speaker with high SPL output and linear frequency response
For use in constructions for ceilings,
alarm systems, for music and speech systems

Technical data are measured with ATB - equipment according EN - 60268 - 5

For product improvement HKM reserves alterations in specifications and design without further announcement

For tolerances of technical data refer to HKM's manual of technical data

For information contact: tel.: +49 (0) 9073 / 9585 - 0, fax.: +49 (0) 9073 / 9585 - 55, e-mail: info@hkm-group.de

HP.: www.hkm-group.de

