

## BC/OC 1" Tweeter



Type Number: BC25SG15-04

### Features:

The BC/OC product line is known for its quality tweeters and midwoofers. Designed in Denmark by our experienced team of audio engineers, Peerless BC/OC products can meet the most demanding needs for both volume and audio excellence. The BC/OC product line has ferrofluid in the magnet gap for improved cooling of the driver.

Driver Highlights: Shielded textile dome tweeter, 25 mm voice coil on alu, 2 layers clad alu wire, 1.8 mm winding height, light ferro fluid, optimi



### Specs:

#### Electrical Data

Nominal impedance	Zn	4	ohm
Minimum impedance	Zmin	6	ohm
Maximum impedance	Zo	9.5	ohm
DC resistance	Re	3.1	ohm
Voice coil inductance	Le	--	mH

#### T-S Parameters

Resonance Frequency	fs	1000	Hz
Mechanical Q factor	Qms	1.8	
Electrical Q factor	Qes	1.07	
Total Q factor	Qts	0.67	
Force factor	Bl	--	Tm
Mechanical resistance	Rms	--	Kg/s
Moving mass	Mms	0.37	g
Suspension compliance	Cms	0.31	mm/N
Effective cone diameter	D	--	cm
Effective piston area	Sd	6.8	cm <sup>2</sup>
Equivalent volume	Vas	--	ltrs
Sensitivity (2.83V/1m)		93.1	dB

#### Power handling

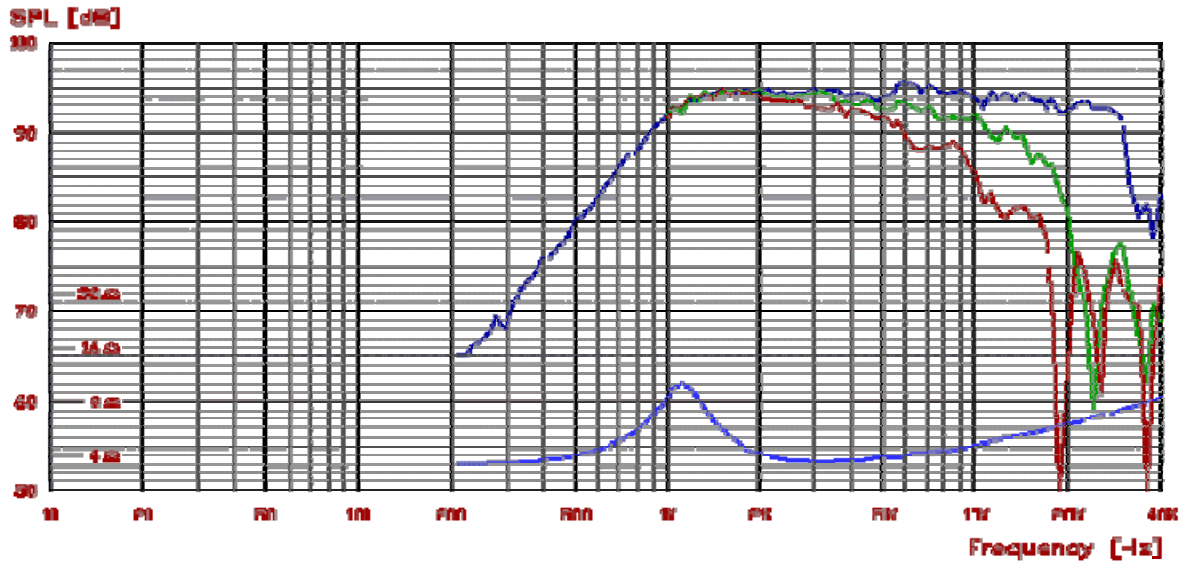
100h RMS noise test (IEC)	50	W
Long-term Max Power (IEC 18.3)	100	W
Short Term Max power (IEC 18.2)	--	W

#### Voice Coil and Magnet Parameters

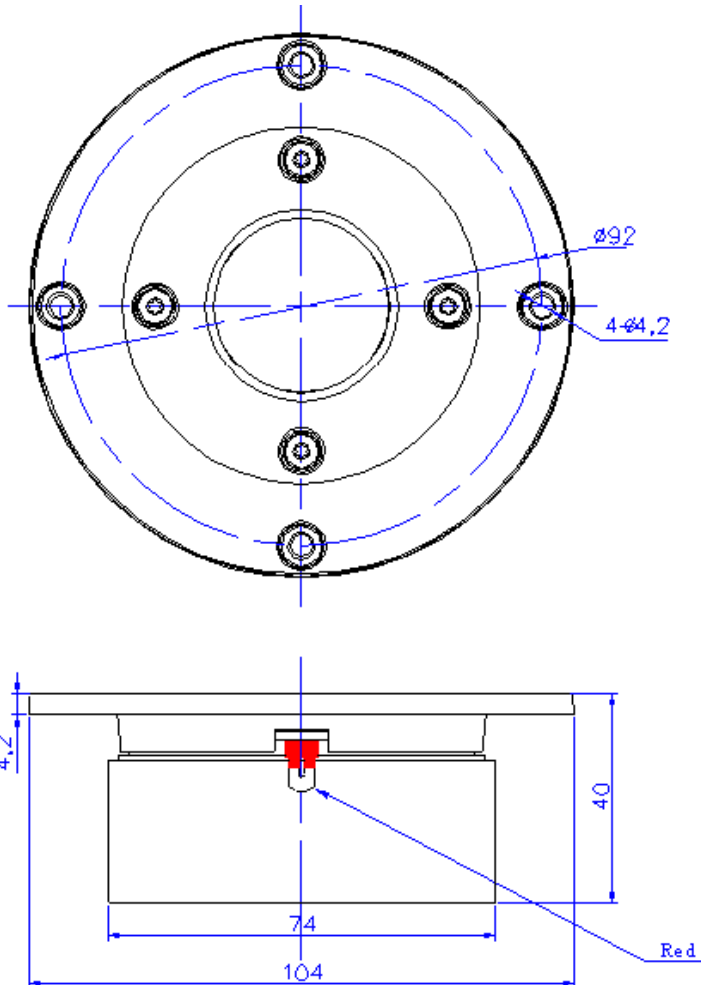
Voice coil diameter	25	mm
Voice coil height	2	mm
Voice coil layers	2	
Height of the gap	3	mm
Flux density of gap	--	mWb
Total useful flux	--	mWb
Diameter of magnet	70	mm
Height of magnet	15	mm
Weight of magnet	--	Kg

Notes:  
IEC specs refer to IEC 60268-5 third edition.  
All Tymphany products are RoHS compliant.

Frequency: BC25SG15-04



Mechanical Dimensions: BC25SG15-04



**Drawing Dimensions**

- Outside Diameter
- Flange Thickness
- Magnet Diameter
- Cutout Diameter
- Interior Depth
- Hole Diameter
- Screw Circle Diameter