

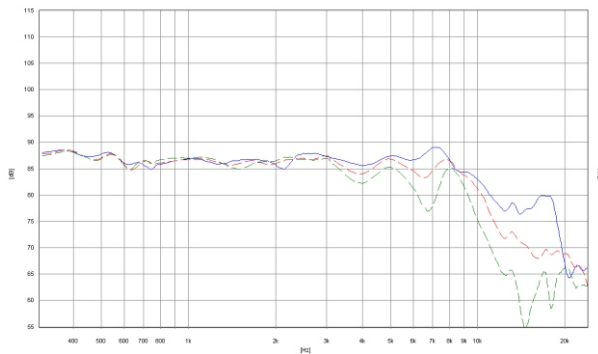
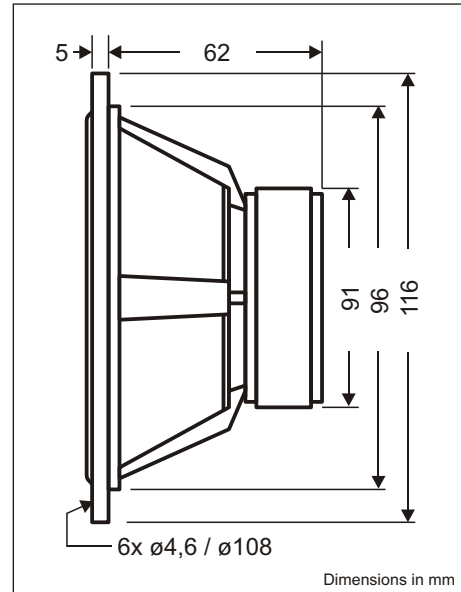
## Symphony

Ein 100er Mitteltöner mit Aluminium-Spulenträger, wurde für höchste Ansprüche entwickelt.

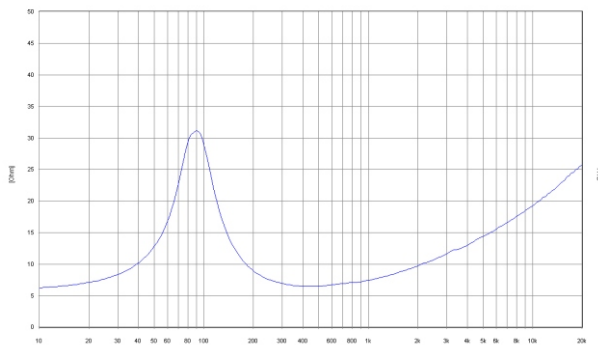
Eine dreischichtige Hexacone-Sandwich-Membrane bekannt für ihre hervorragenden akustischen Eigenschaften ist die beste Voraussetzung für eine authentische Musikwiedergabe.

An advanced high end 4" midrange woofer, especially designed for full midrange performance, as well as an ideal solution for multichannel systems.

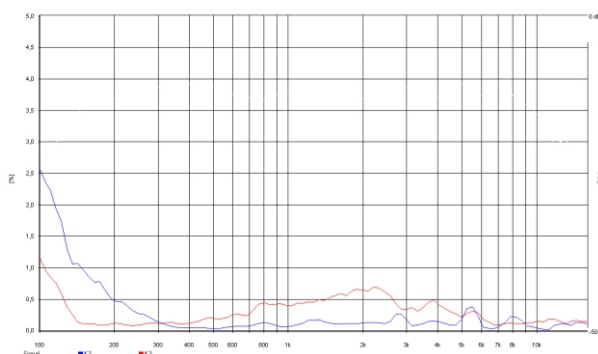
For the hexacone sandwich diaphragm a three-layer sandwich cone is used for extra rigidity and small weight. It impresses by a totally realistic sound reproduction.



The frequency responses measured free field sound pressure in 0, 15 30 degrees angle using endless baffle. Input 2,83 VRMS, microphone distance 1 m



Impedance is measured free air without baffle.



Distortion 1 Watt.

Nominal impedance	$Z_n$	8	
DC resistance	$R_e$	6.0	
Resonance frequency 1W	$f_r$	78	Hz
Resonance frequency TS-parameter-meas.	$f_r$	92	Hz
Suspension compliance	$C_{MS}$	0.47	mm/N
Mechanical Q	$Q_{MS}$	2.35	
Electrical Q	$Q_{ES}$	0.51	
Total Q	$Q_{TS}$	0.42	
Mechanical resistance	$R_{MS}$	1.55	kg/s
Total moving mass (including air mass)	$M_{MD}$	6.26	g
Effective piston area	$S_D$	55	cm <sup>2</sup>
Voice coil diameter		25	mm
Voice coil former		Aluminium	
Voice coil length		10	mm
Voice coil layers		2	
Voice coil inductance	$L_e$	0.42	mH
Flux density	$B$	1.15	Tesla
Force factor	$B_L \times l$	6.47	Tm
Height of the gap		6	mm
Diameter of magnet		90	mm
Height of magnet		17	mm
Weight of speaker		1.1	kg
Characteristic SPL 1 Watt / 1 m		88	dB SPL
Rated power		50	W
Equivalent air vol. of suspension	$V_{AS}$	2.02	dm <sup>3</sup>
ETON reserves the right to change technical data			07/20